

SQL 15

Speaker Specifications

Power	Pe	1200/1800	RMS/Nom
DC resistance	Rdc	2,8	Ω
Nominal impedance	ZN	4	Ω
Resonance frequency	fs	35,5	HZ
Voice coil diameter		4	inch
Xmax	+ -	15	mm

Mechanical Q factor	Qms	3,52
Electrical Q factor	Qes	0,60
Total Q factor	Qts	0,51

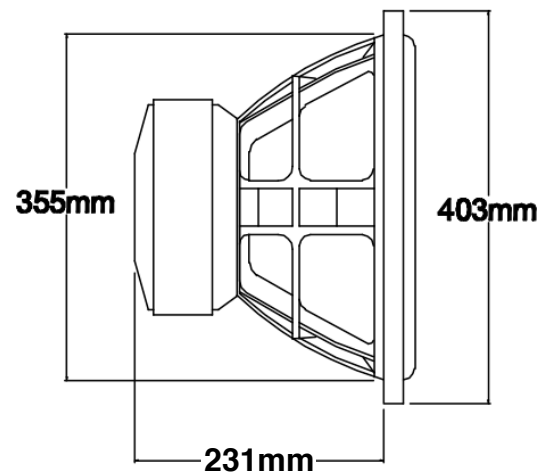
Moving mass	Mms	255,4	g
Effective piston area	Sd	830	cm ²
Mechanical resistance	Rms	16,2	Kg/s
Compliance	Cms	0,08	mm/N
Force factor	BL	16,3	Tm
Equivalent air volume	Vas	80,7	dm ³
SPL 2,83V/1m		92,6	dB

Cone: Paper	Spider: Nomex
Surround: Rubber	Coil former: Aluminium
Basket: Aluminium	Dust cap: Fiberglass



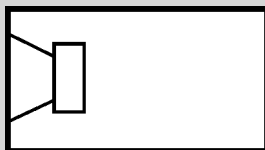
Diameter

External diameter	403 mm / 15,87 inch
Installation diameter	355 mm / 13,98 inch
Installation depth	231 mm / 9.09 inch
Magnet diameter	230 mm / 9,06 inch



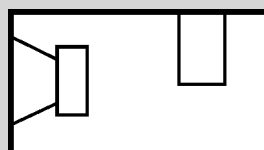
Recommended Boxes (including Ports / Drivers)

Sealed Box



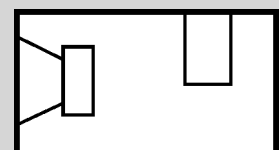
V: **60 l**

Vented Box



V: 95 l
 ft: 39 Hz (42 Hz)
 d: 2x 100 mm / 3,94 inch
 l: 250 mm / 9.84 inch
 (200 mm / 7,88 inch)

Vented Box



V: 130 l
 ft: 41 Hz (44 Hz)
 d: 4x 100 mm / 3,94 inch
 l: 280 mm / 11.02 inch
 (220 mm / 8,66 inch)